



**Lower Tray Unit for
HL-1650/1670N Laser Printer
PARTS REFERENCE LIST**

MODEL: LT-500

NOTE FOR USING THIS PARTS REFERENCE LIST

1. In the case of ordering parts, it needs mentioning the following items:

- (1) Code
- (2) Q'ty
- (3) Description
- (4) Symbol (PCB No., Revision , and Parts location mounted on the PCB.)

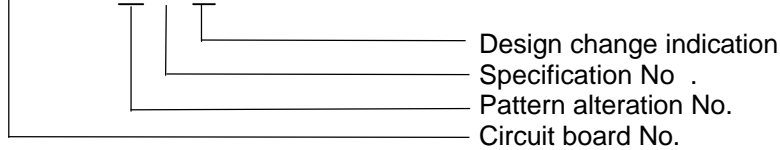
Note : No orders without Parts Code or Tool No. can be accepted.

< Example >

REF.NO.	(1) CODE	(2) Q'TY	(3) DESCRIPTION	(4) SYMBOL	REMARK

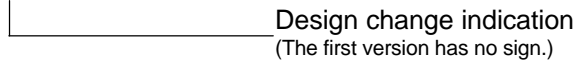
Revision No.: marked on the **main printed circuit board**.

B48K056 - 201A



Revision No.: marked on the **power supply printed circuit board**.

Rev. A



2. Design-changed parts :

If the parts are changed, any one of the following symbols is indicated in the REMARKS column.

- #A : compatible between old and new
- #B : replaceable from old to new
- #D : incompatible
- # : newly established

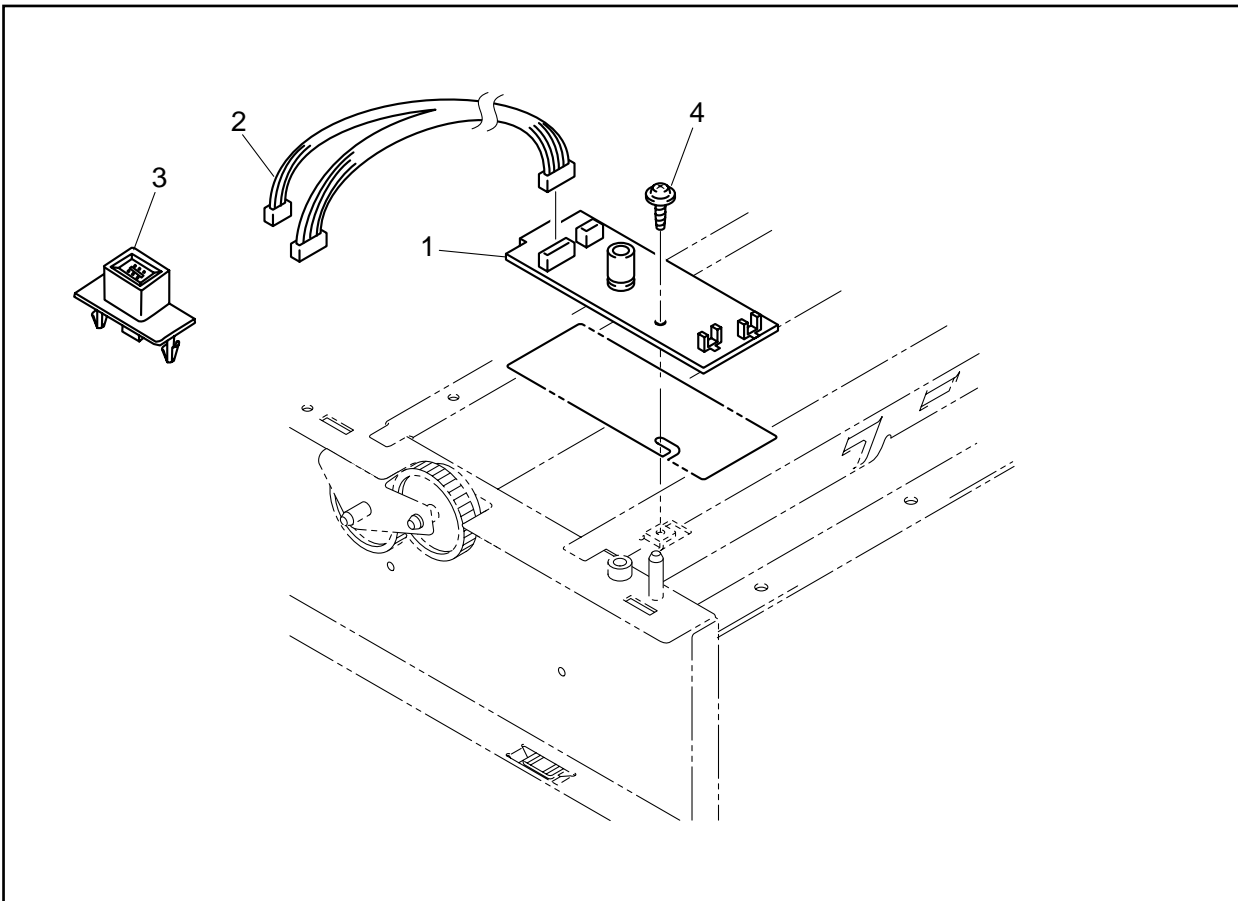
3. The original of this list was made based on the information available in December 2000.

4. Parts are subject to change in design without prior notice.

CONTENTS

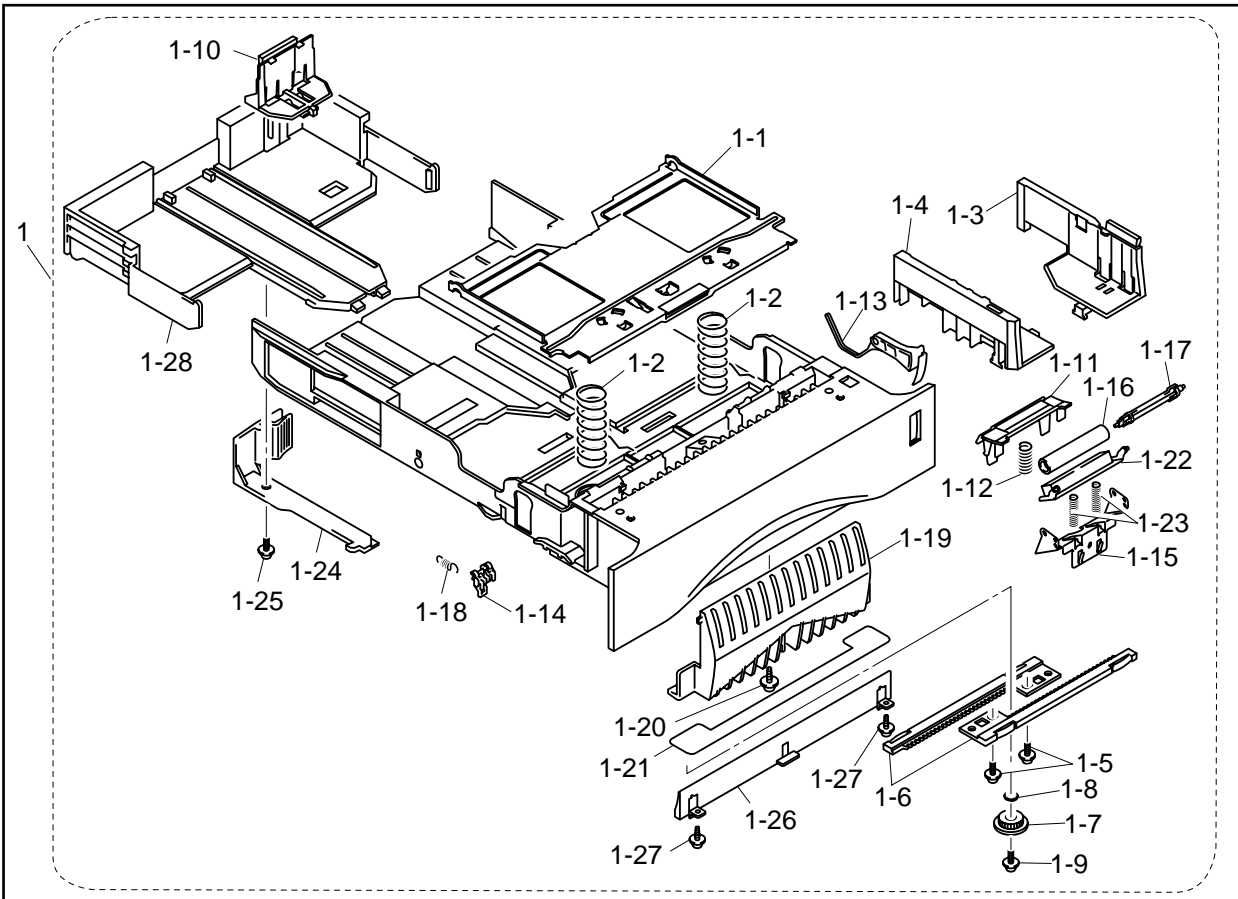
1.	LOWER TRAY PCB	1
2.	PAPER CASSETTE	1
3.	PAPER FEEDER.....	3
4.	ACCESSORIES.....	5
5.	PACKING MATERIALS.....	5

1. LOWER TRAY PCB



MODEL LT-500 84U-X01-100

2. PAPER CASSETTE



MODEL LT-500 84U-X01-045

1. LOWER TRAY PCB

REF.NO.	CODE	Q'TY	DESCRIPTION	SYMBOL	REMARK
1	LJ8368001	1	LT SENSOR PCB ASSY		
2	LJ8410001	1	LT HARNESS ASSY		
3	LJ8456001	1	CONNECTOR:53717-0611		
4	087320616	1	TAPTITE, CUP S M3X6		

MODEL LT-500 84U-X11-100

2. PAPER CASSETTE

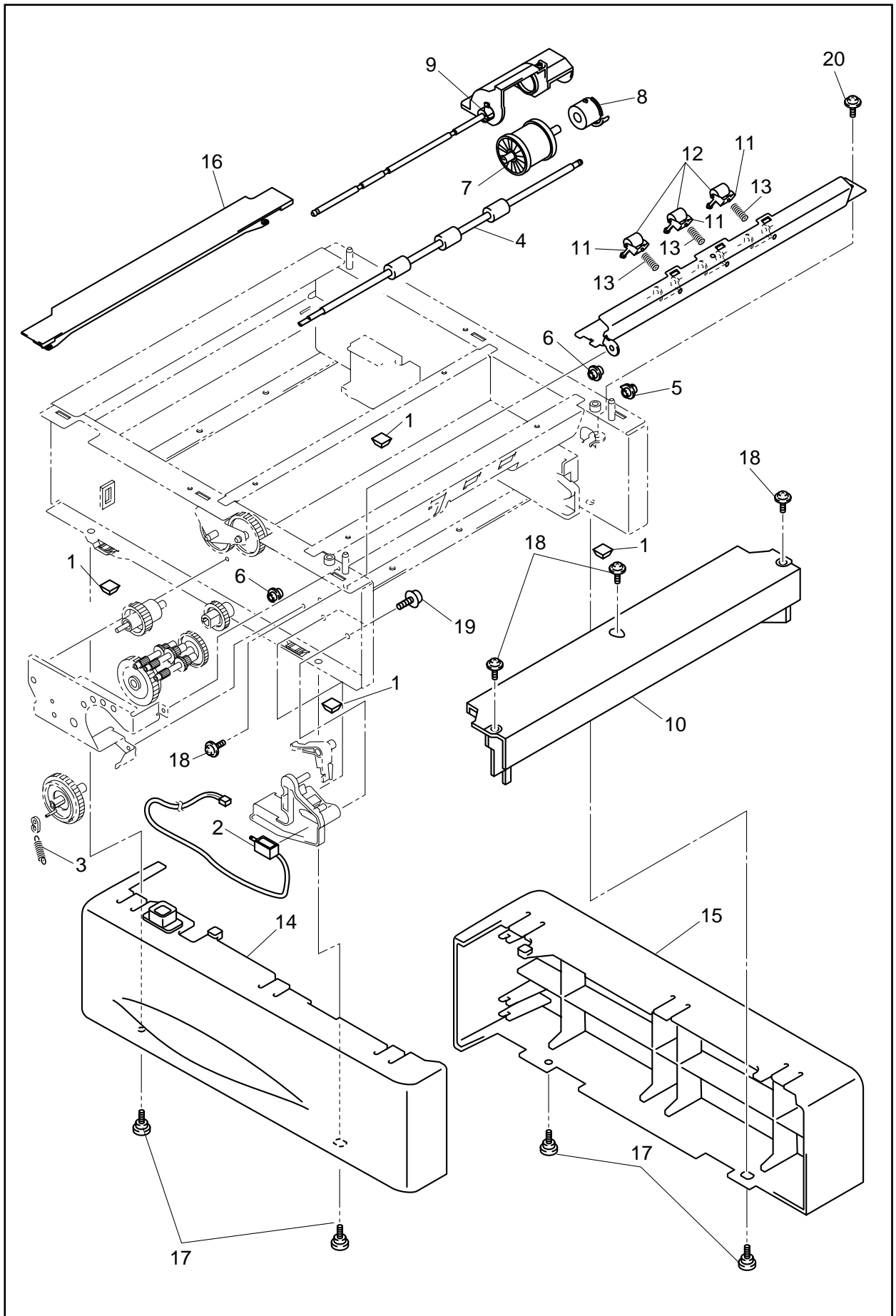
PR2002048

REF.NO.	CODE	Q'TY	DESCRIPTION	REMARK
1	LJ7090001	1	PAPER TRAY ASSY OTHER	CHNG
1	LJ5119001	1	PAPER TRAY ASSY EUR	CHNG
1-1	LJ4537001	1	PRESSURE PLATE ASSY, LGL	
1-2	UL9077001	2	PRESSURE PLATE SPRING	
1-3	UL9078001	1	SIDE GUIDE L	
1-4	UL9079001	1	SIDE GUIDE R	
1-5	U73515001	2	TAPTITE, CUP B M2.6X5	
1-6	UL9080001	2	SIDE GUIDE RACK	
1-7	UL9081001	1	SIDE GUIDE GEAR	
1-8	UL9082001	1	FRICITION SPRING	
1-9	087310815	1	TAPTITE, CUP B M3X8	
1-10	UL9083001	1	REAR PAPER GUIDE	
1-11	LJ5256001	1	PAD HOLDER ZLH ASSY	
1-12	LJ5923001	1	SEPARATION PAD SPRING 350	
1-13	LJ5259001	1	PAPER INDICATOR	
1-14	UL9092001	1	LOCK LEVER	
1-15	LJ4196001	1	PRESSURE ROLLER HOLDER, A4	
1-16	LJ5260001	1	PRESSURE ROLLER COLLAR	
1-17	LJ5261001	1	PRESSURE ROLLER SHAFT	
1-18	UL9095001	1	HELICAL EXTENSION SPRING	
1-19	LJ4197001	1	PAPER TRAY COVER	
1-20	UF8709001	1	TAPTITE, TORX PAN B M3X8	
1-21	LJ4272001	1	TRAY COVER FILM	
1-22	LJ4221001	1	SCRATCH SPONGE HOLDER ASSY	
1-23	LJ4200001	2	SCRATCH SPONGE SPRING	
1-24	LJ5011001	1	TRAY LOCK LEVER	
1-25	UU0231001	1	TAPTITE, PAN B M3X8	
1-26	LJ5263001	1	LT FEED GUIDE	
1-27	087310815	2	TAPTITE, CUP B M3X8	
1-28	LJ5003001	1	PAPER TRAY, REAR	
1-29	LJ5348001	1	POSITION LABEL	

MODEL LT-500 84U-X11-045

T/I NO. PR2002048

3. PAPER FEEDER



MODEL LT-500 84U-X01-010

3. PAPER FEEDER

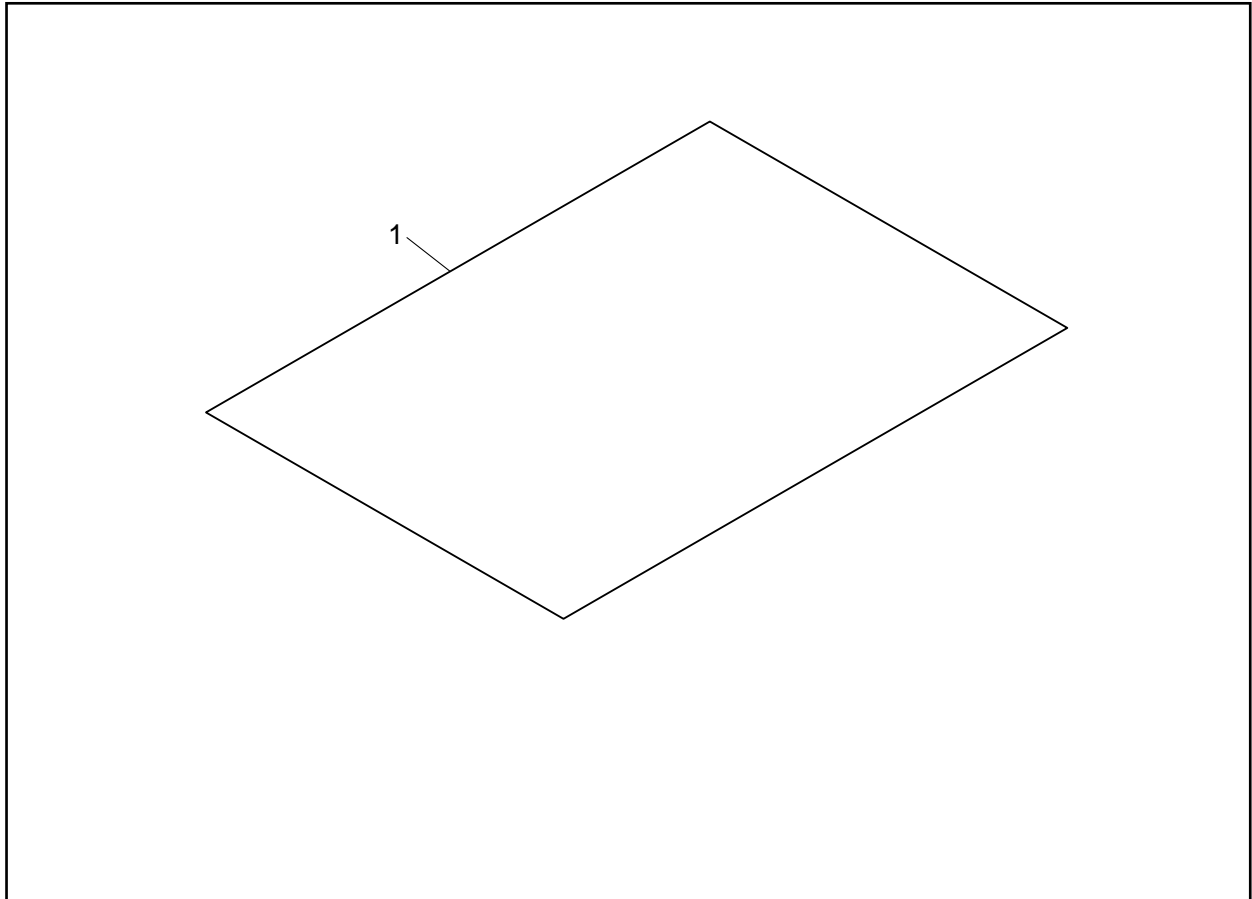
PR2002139

REF.NO.	CODE	Q'TY	DESCRIPTION	REMARK
1	LJ7403001	4	RUBBER FOOT	CODE CHNG
2	LJ5317001	1	PAPER FEED SOLENOID ASSY LT	
3	LJ5327001	1	CLUTCH SPRING	
4	LJ5329001	1	FEEDER ROLLER LT ASSY	
5	UL9062001	1	BEARING 5	
6	UL9069001	1	CONDUCYOR BEARING 5	
7	LJ5016001	1	PAPER PICK-UP ROLLER ASSY	CODE CHNG
8	LJ5021001	1	BEARING R	
9	LJ5020001	1	BEARING L	
10	LJ5332001	1	LT FRONT COVER	
11	LJ5336001	3	ROLLER HOLDER LT	
12	UH3936001	3	PRESSURE ROLLER U	
13	LJ2179001	3	ROLLER HOLDER SPRING 440	
14	LJ5337001	1	LT SIDE COVER L	
15	LJ5338001	1	LT SIDE COVER R	
16	LJ5339001	1	LT REAR COVER	
17	UF9823001	4	SHOULDER SCREW	
18	087320616	5	TAPTITE, CUP S M3X6	
19	085411015	2	TAPTITE, BIND B M4X10	

MODEL LT-500 84U-X11-010

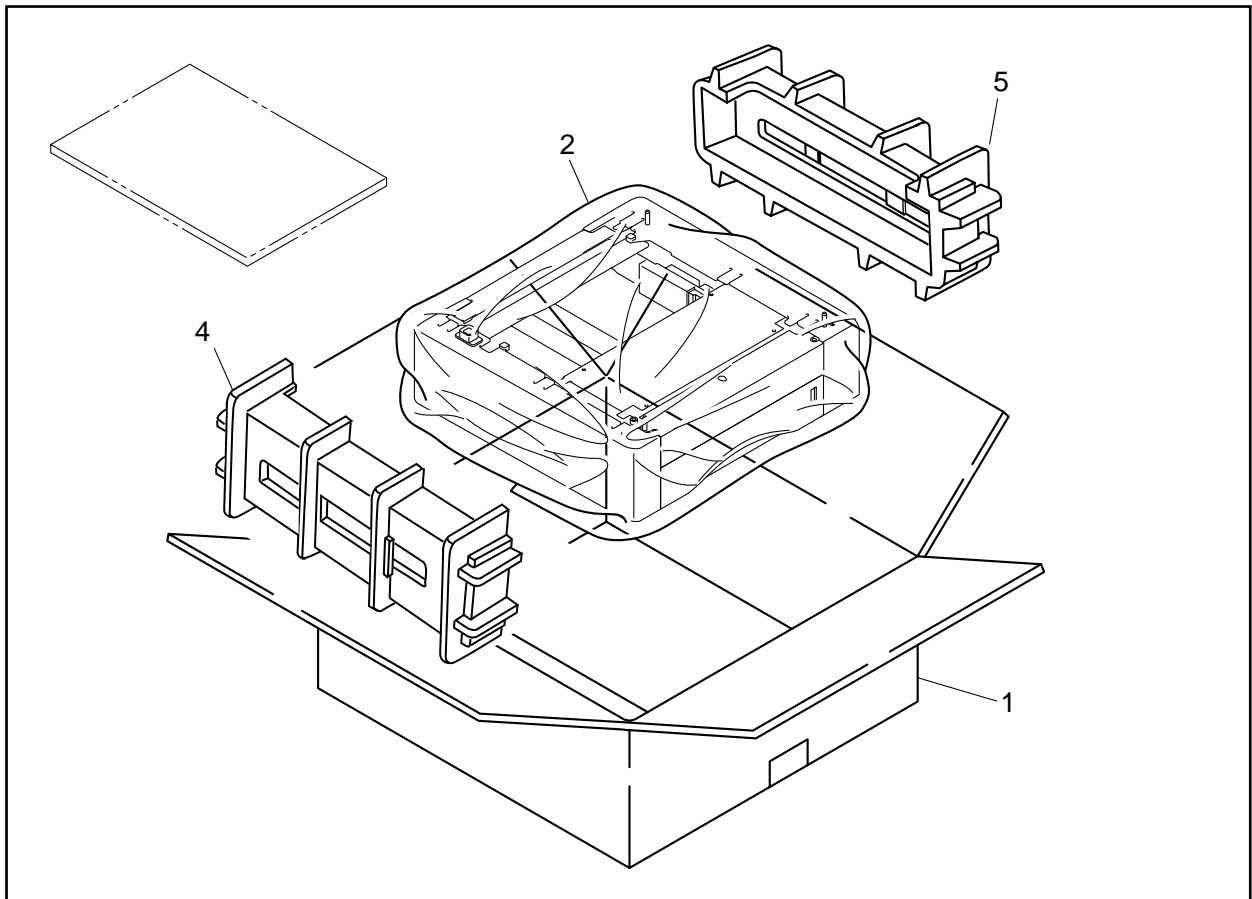
T/I NO. PR2002139

4. ACCESSORIES



MODEL LT-500 84U-X01-920

5. PACKING MATERIALS



MODEL LT-500 84U-X01-930

4. ACCESSORIES

REF.NO	CODE	Q'TY	DESCRIPTION	REMARK
1	LJ5342001	1	SET GUIDE LT-500	
1	LJ5488001	1	SET GUIDE LT-500 EUR	

MODEL LT-500 84U-X11-920

5. PACKING MATERIALS

REF.NO	CODE	Q'TY	DESCRIPTION	REMARK
1	LL0324001	1	CARTON, LT-500	
2	LJ5590001	1	BAG, 550X650H	
3	LJ5346001	1	LOGO LABEL 3	
4	LJ5345001	1	STYROFORM PAD, L	
5	LJ5344001	1	STYROFORM PAD, R	

MODEL LT-500 84U-X11-930