

FRU Parts List

This topic provides a list of field-replaceable units for the Phaser 840 / 850 / 860 and the Phaser 8200 Color Printers. Changes to Tektronix and Xerox products are made to accommodate improved components as they become available. It is important when ordering parts to include the following information:

- Component's part number
- Product type or model number
- Serial number of the printer

Serial numbering.

Phaser 840/850: CYRxxxx

Phaser 860: CRPPYMDSxx

Phaser 860/8200: PPPRxxxxxx

C - indicates the headquarters of the city or country of the manufacturing company, B = Beaverton, M = Malaysia.

Y - numerically indicates the last digit of the year of manufacture, ranging from 0 to 9.

R - indicates the modification level (rev) of the printer, ranging alpha-numerically from 0 to Z. Phaser 840/850 only: an 'F' represents printers for the FreeColorPrinters Program exclusively.

xxxx - numerically indicates the sequence of the printer, among the printers produced, matching the other parameters.

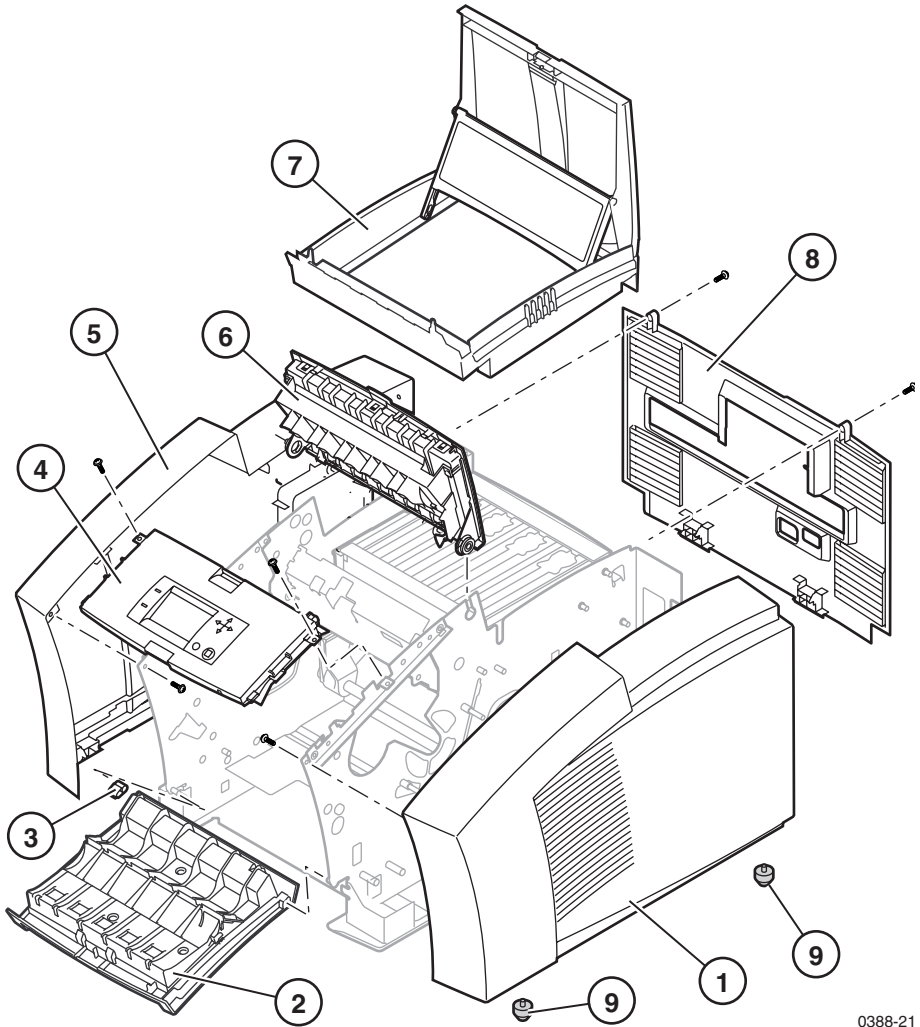
PP - indicates the product code, XC/LGP = 860, XD/LHW = 860DPF, LTH = 8200, LUK = 8200DPF.

M - indicates month of manufacture, ranging alpha-numerically from 1 to C.

D - indicates the day of the month of manufacture, ranging alpha-numerically from 1 to X.

S - indicates the configuration site for the product, W = Wilsonville, OR, V = Oostrum, Netherlands, P = Paneng, Malaysia.

Cabinet FRU's



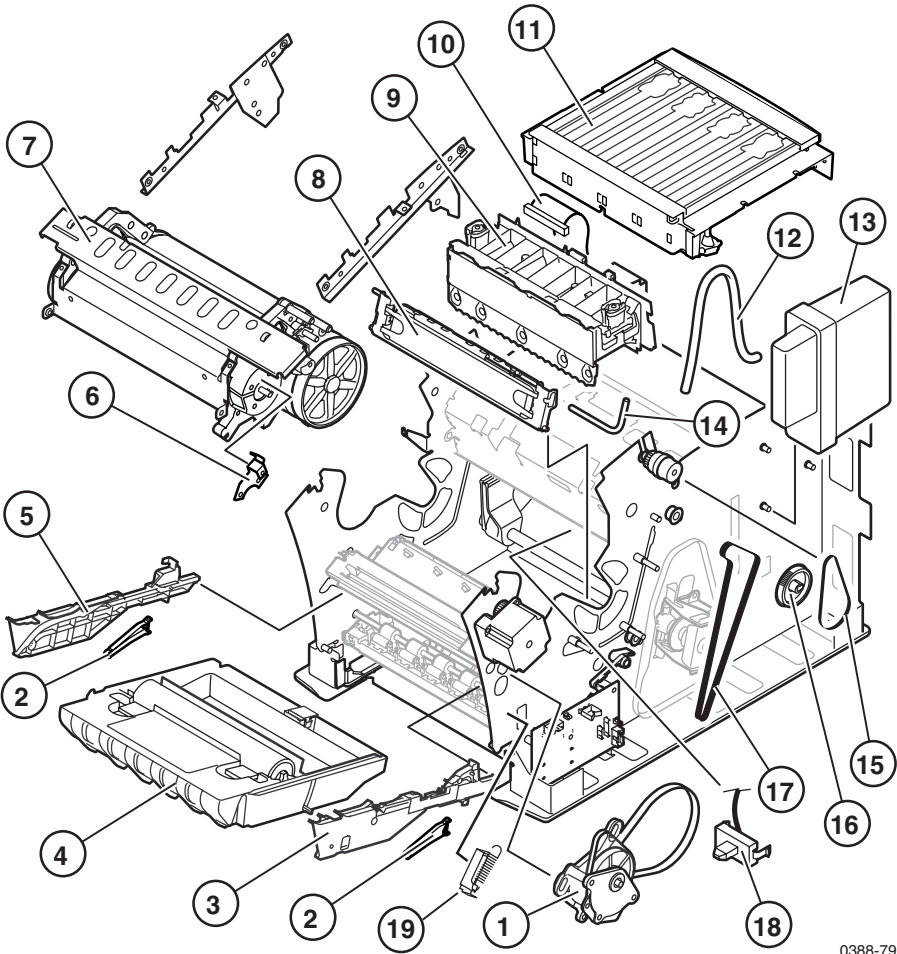
0388-21

Fig 8-1 Cabinet FRUs

Table 8-1 Cabinet FRUs

Parts	Part number	Serial number Effective Discont'd	Qty	Name and description
1	200-4412-00		1	Right cover, 8408/50
	200-4591-00			Right cover, 840GP "Designer Edition"
	200-4645-00			Right cover, 860/8200
2	200-4370-00		1	Front cover, jam access, Phaser 840
	200-4598-00		1	Front cover, jam access door, 840GP "Designer Edition"
	200-4607-00		1	Front cover, jam access, Phaser 850
	200-4638-00		1	Front cover, jam access, Phaser 860/8200
3	214-4814-00		1	Hinge, Front cover pivot, 840/850
	214-4982-00		1	Hinge, Front cover pivot Phaser 860/8200
4	650-4028-00		1	Front cover, control panel, Phaser 840
	650-4121-00		1	Front cover, control panel, 840GP "Designer Edition"
	650-4143-00		1	Front cover, control panel, Phaser 850
	650-4216-00		1	Front cover, control panel, Phaser 860
	650-4253-00		1	Front cover, control panel, Phaser 8200
5	200-4365-00		1	Left cover, 840/850
	200-4589-00		1	Left cover, 840GP "Designer Edition"
	200-4634-00		1	Left cover, Phaser 860/8200
6	200-4375-00		1	Exit cover, Phaser 840
	200-4599-00		1	Exit cover, 840GP "Designer Edition"
	200-4604-00		1	Exit cover, Phaser 850
	200-4642-00		1	Exit cover, Phaser 860/8200
7	200-4367-01		1	Top cover with inkload door, 840/850
	200-4600-00		1	Top cover with inkload door, 840GP "Designer Edition"
	200-4635-00		1	Top cover with inkload door, Phaser 860
	200-4690-00		1	Top cover with inkload door, Phaser 8200
8	200-4377-00		1	Rear cover, 840/850
	200-4592-00		1	Rear cover, 840GP "Designer Edition"
	200-4644-00		1	Rear cover, Phaser 860/8200
9	650-4104-00		4	Printer feet

Imaging FRU's



0388-79

Fig 8-2 Imaging FRUs

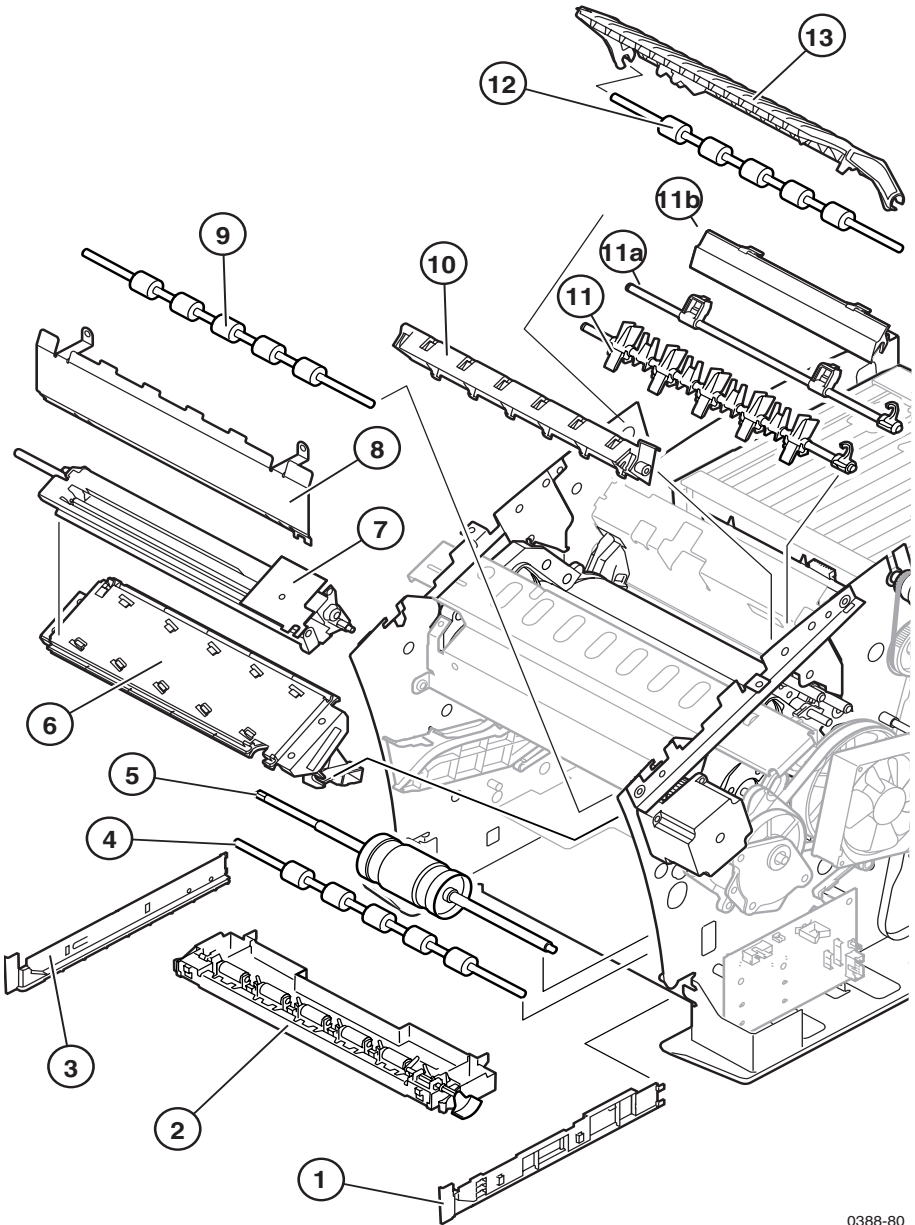
Table 8-2 Imaging FRUs

Parts	Part number	Serial number Effective Discont'd	Qty	Name and description
1	650-4027-00		1	Y-axis pulley assembly, Phaser 840
	650-4227-00		1	Y-axis pulley assembly, Phaser 850/860/8200
2	214-4651-01		1	Drum maintenance actuators, left and right Phaser 840
	367-0515-00		1	Drum maintenance actuators, left and right Phaser 850/860/8200

Table 8-2 Imaging FRUs

Parts	Part number	Serial number Effective Discont'd	Qty	Name and description
3	351-1053-00		1	Maintenance drawer guide, right, 840/850
	351-1099-00		1	Maintenance drawer guide, right, Phaser 860/8200
4	436-0383-00		1	Maintenance drawer, with 10k roller, Phaser 840/850
	436-0414-00		1	Maintenance drawer, with 10k roller, Phaser 860/8200
5	351-1051-01		1	Maintenance drawer guide, left, 840/850
	351-1097-00		1	Maintenance drawer guide, left Phaser 860/8200
6	650-3617-00		1	Spring, transfix actuation. Part of 650-3617-00 Drum/Transfix Assy Kit, Phaser 840
	214-4926-00		1	Spring, transfix actuation, Phaser 850/860/8200
7	650-3617-00		1	Drum/transfix assembly kit, Phaser 840
	650-4140-03		1	Drum/transfix assembly kit, Phaser 850
	650-4219-01		1	Drum/transfix assembly kit, Phaser 860/8200
8	441-2137-03		1	Cap/wipe/purge assembly, Phaser 840
	650-4179-01		1	Cap/wipe/purge assembly, Phaser 850/860/8200
9	650-3623-00		1	Printhead kit, Phaser 840
	650-4112-00		1	Printhead kit, Phaser 850
	650-4208-00		1	Printhead kit, Phaser 860
	650-4245-00		1	Printhead kit, Phaser 8200
10	174-3807-00		1	Cable, printhead data
11	650-4025-00		1	Ink loader, Phaser 840
	650-4141-00		1	Ink loader, Phaser 850
	650-4215-00		1	Ink loader, Phaser 860
	650-4247-00		1	Ink loader, Phaser 8200
12	166-0714-00		1	Vacuum hose, rubber
	650-4223-00		1	Tubing Kit (includes hoses and vacuum filter)
13	147-0079-00		1	Vacuum/pump assembly
14	166-0713-00		1	Vacuum hose, rigid. see #12
15	650-3615-00		1	Head maintenance drive belt. Part of 650-3615-00 Belt Kit
16	650-3619-00		1	Pulley, head maintenance drive. Part of 650-3619-00 Gear Kit, Phaser 840/850
	650-4221-00		1	Part of 650-4221-00 Gear Kit, Phaser 860/8200
17	650-3615-00		1	Head maintenance timing belt and ratchet clips. Part of 650-3615-00 Belt Kit
18	134-0265-00		1	Plug, Maintenance drawer life counter
19	650-4148-00		1	Y-axis tensioner, Phaser 850/860/8200
	200-4379-01		1	Cover heat plate, printhead thermal duct
	214-4772-00		1	Head tilt return spring (refer to SB 541)
	214-4813-00		1	Tilt arm spring (refer to SB 541)

Paper Path FRU's



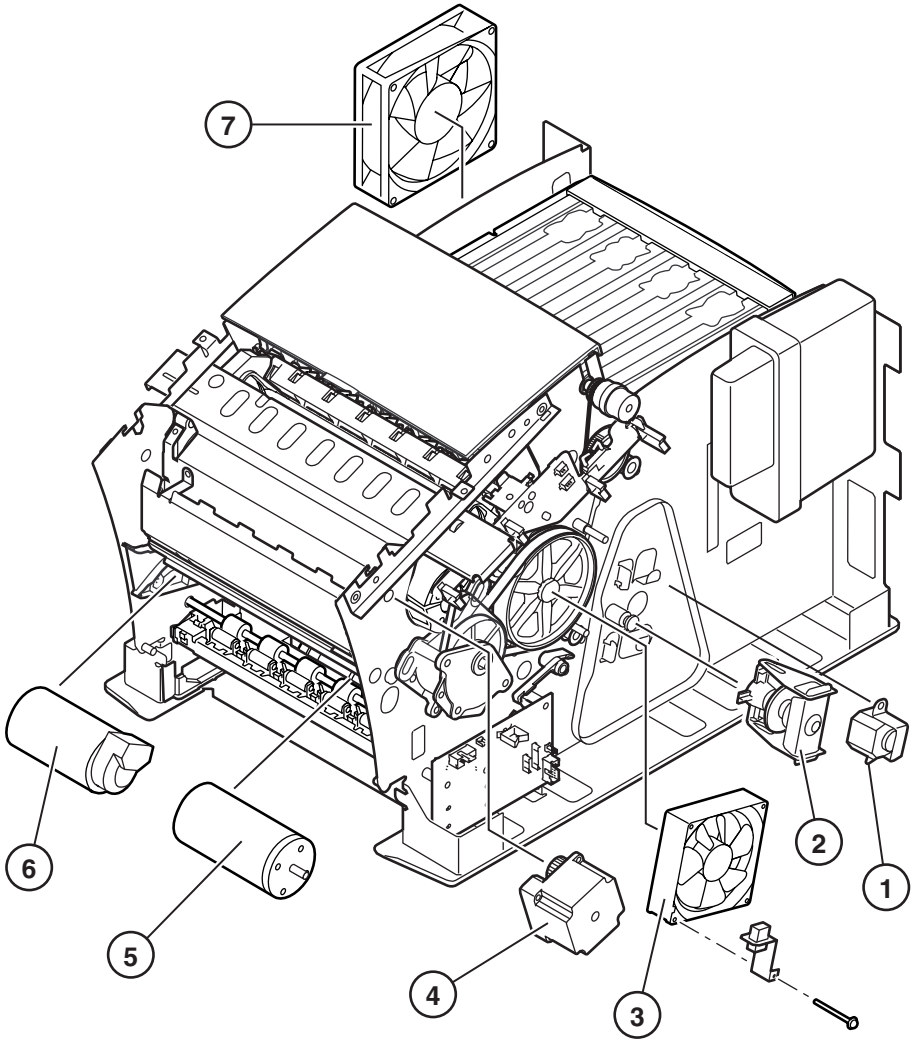
0388-80

Fig 8-3 Paper path FRUs

Table 8-3 Paper path FRUs

Parts	Part number	Serial number Effective Discont'd	Qty	Name and description
1	351-1045-00		1	Guide, media tray, right, Phaser 840/850
	351-1092-00		1	Guide, media tray, right, Phaser 860/8200
2	351-1032-00		1	Guide, pick assembly, Phaser 840/850
	351-1088-00		1	Guide, pick assembly, Phaser 860/8200
3	351-1046-00		1	Guide, media tray, left, Phaser 840/850
	351-1093-00		1	Guide, media tray, left, Phaser 860/8200
4	401-0778-01		1	Lower feed roller, Phaser 840
	401-0858-00			Lower feed roller, Phaser 850/860/8200
5	401-0813-01		1	Paper pick roller, Phaser 840/850
	401-0882-00		1	Paper pick roller, Phaser 860/8200
6	650-4155-01		1	Drum/paper heater assembly, Phaser 840/850
	650-4228-00		1	Drum/paper heater assembly, Phaser 860/8200
7	351-1047-00		1	Upper feed assy, top half, with circuit bd, Phaser 840
	351-1048-00		1	Upper feed assy, lower half, Phaser 840
	351-1079-00		1	Upper feed assy, lower half, Phaser 850/860
	351-1106-00		1	Upper feed assy, top half, with circuit bd, Phaser 850/860/8200
8	351-1035-01		1	Duplex paper guide
9	401-0841-00		1	Duplex roller, Phaser 840
	401-0867-00		1	Duplex roller, Phaser 850
	401-0883-00		1	Duplex roller, Phaser 860/8200
10	650-4026-01		1	Upper stripper finger assembly
11	650-4207-00		1	Rapid Release Guide Conversion Kit, Phaser 840 (see Service Bulletin 456 Rev. 1) Stripper blade shaft
11a	384-1849-00		1	Rapid release guide blade assembly, Phaser
11b	650-4153-00		1	840/850
11b	650-4214-00		1	Rapid release guide blade assembly, Phaser 860/8200
12	401-0781-01		1	Exit roller, Phaser 840
	401-0857-01		1	Exit roller, Phaser 850
	401-0885-00		1	Exit roller, Phaser 860/8200
13	351-1016-00		1	Guide, lower exit, pivoting, 840/850
	351-1095-00		1	Guide, lower exit, pivoting, Phaser 860/8200
	105-1064-00		1	Rapid release guide actuation lever (refer to SB 541)
	401-0738-01		1	Rapid release guide cam follower arm (refer to SB 541)
	214-4621-00		1	Rapid releas guide actuation spring (refer to SB 541)

Motor and Fan FRUs



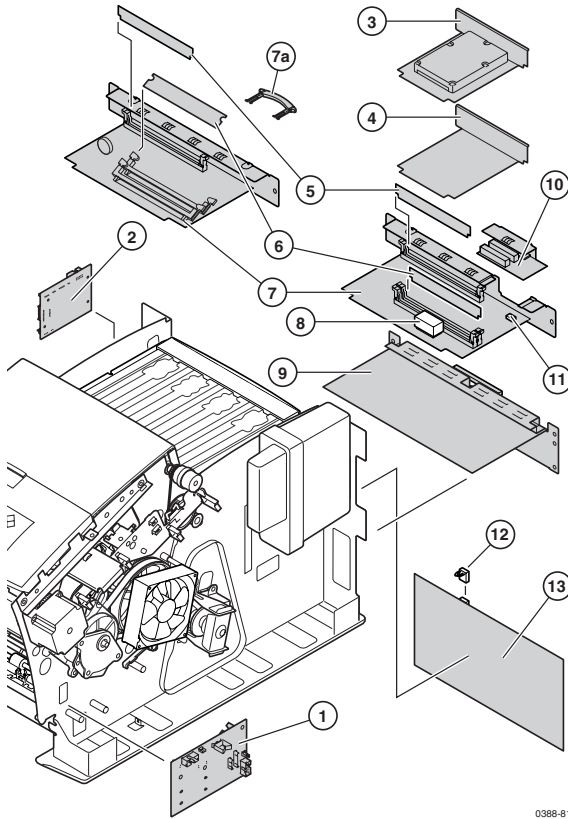
0388-14

Fig 8-4 Motor and fan FRUs

Table 8-4 Motor and fan FRUs

Parts	Part number	Serial number Effective Discont'd	Qty	Name and description
1	147-0086-00		1	X-axis motor with gear
2	650-3621-00		1	X-axis drive assembly, Phaser 840
	650-4147-00		1	X-axis drive assembly, Phaser 850/860/8200
3	119-5876-00		1	Drum fan
4	147-0180-02		1	Paper path motor
5	147-0082-00		1	Y-axis motor, Phaser 840
	147-0113-01		1	Y-axis motor, Phaser 850/860/8200
6	147-0108-01		1	Process motor, with encoder, Phaser 840
	147-0112-02		1	Process motor, with encoder, Phaser 850
	147-0114-00		1	Process motor, with encoder, Phaser 860/8200
7	119-5781-00		1	Main fan

Circuit Board FRUs



0388-81

Fig 8-5 Circuit Board FRUs

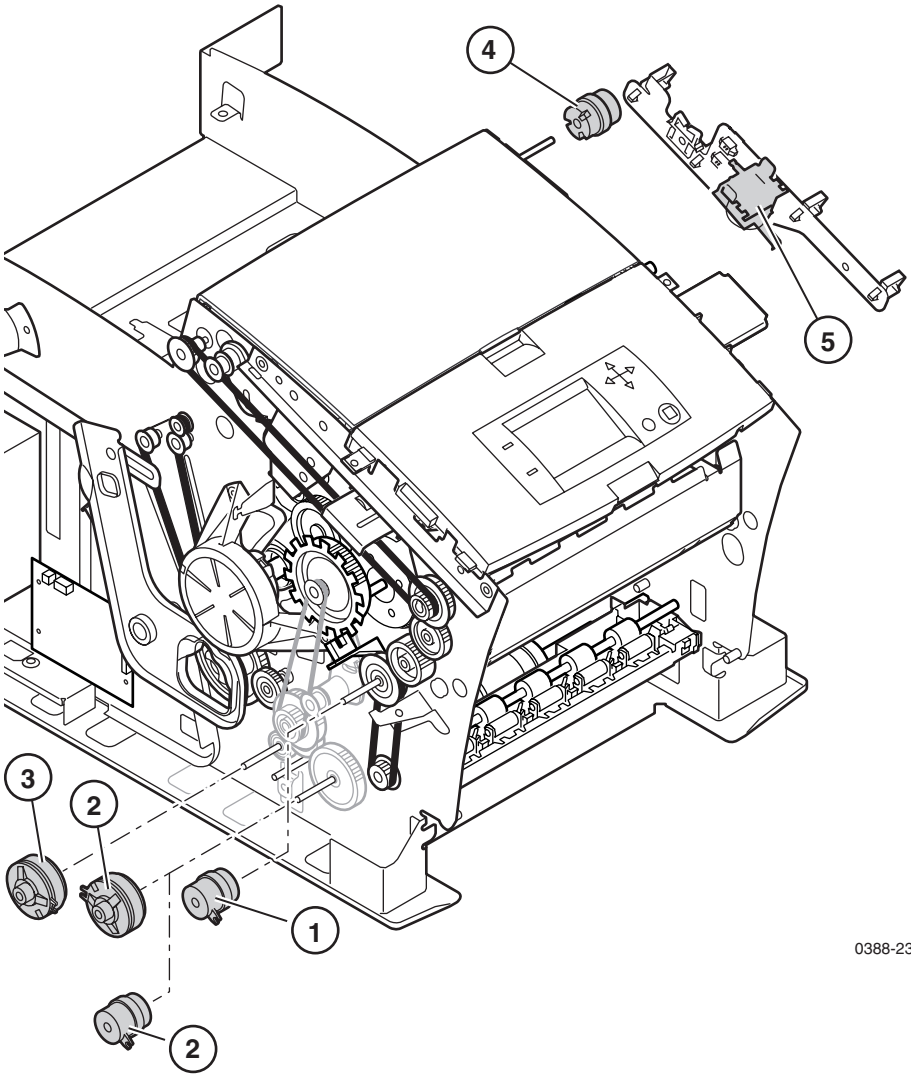
Table 8-5 Circuit board FRUs

Parts	Part number	Serial number Effective Discont'd	Qty	Name and description
1	671-4194-50		1	I/O board, right, Phaser 840/850
	671-5258-50		1	I/O board, right, Phaser 860/8200
2	671-4195-50		1	I/O board, left, Phaser 840
	671-5026-51		1	I/O board, left, Phaser 850/860/8200
3	671-4542-50		1	IDE hard drive, internal, Phaser 840
	650-4176-00		1	IDE hard drive, internal, programmed, Phaser 850
	650-4206-00		1	IDE hard drive, internal, programmed, Phaser 860
	650-4248-00		1	IDE hard drive, internal, Phaser 8200
	386-6997-00		1	Blank cover plate (no hard drive)
4a	671-3994-51		1	100Base T Ethernet card, Phaser 840
4b	671-4034-00		1	LocalTalk network card, Phaser 840
4c	671-3932-51		1	Token Ring network card Phaser 840/850
4d	386-6998-00		1	Blank cover plate, no network card

Table 8-5 Circuit board FRUs

Parts	Part number	Serial number Effective Discont'd	Qty	Name and description
5			1	Phaser 840 Masked
	671-4576-50		1	Code ROM DIMM, English OS 1.36/PS 8.64/Eng 8.12/Net 10.50
		671-4575-53	1	Code ROM DIMM, English OS 1.38/PS 8.76/Eng 8.22/Net 10.62
		671-4674-02	1	Code ROM DIMM, Japanese Morisawa
		671-4675-02	1	Code ROM DIMM, Chinese Traditional
		671-4676-02	1	Code ROM DIMM, Chinese Simplified
		671-4677-02	1	Code ROM DIMM, Korean Hangul
		671-4748-03	1	Code ROM DIMM, Japanese Heisei
				Phaser 850 One Time Programmable
		672-1594-00	1	Code ROM DIMM, English, Base
		671-5299-00	1	Code ROM DIMM, English, Plus
		674-5105-50	1	Code ROM DIMM, Japan Heisei, Base
		674-5106-50	1	Code ROM DIMM, Japan Heisei, Plus
				Phaser 860
		671-5284-01	1	Code ROM DIMM, Base
		671-5275-01	1	Code ROM DIMM, Plus
				Phaser 8200
		671-5309-00	1	Code Flash DIMM, Base
		671-5308-00	1	Code Flash DIMM, Plus <i>Japanese Morisawa and Heisei, Chinese Traditional and Simplified, Korean Hangul fonts on the internal hard drive</i>
	6	156-4800-10		1
156-4759-00			1	32-Mbyte RAM DIMM, Phaser 850
156-4811-10			1	64-Mbyte RAM DIMM, Phaser 840/850
156-4831-00			1	64-Mbyte RAM SODIMM, Phaser 860/8200
156-4780-10			1	128 Mbyte RAM DIMM, Phaser 850
156-4832-00			1	128 Mbyte RAM SODIMM, Phaser 860/8200
7	650-3991-00		1	Main board, Phaser 840
	650-4142-01		1	Main board, Phaser 850
	650-4210-05		1	Main board, Phaser 860
7a	650-4250-00		1	Main board, Phaser 8200
	367-0506-00		1	Board pull-out handle, Phaser 840/850
	367-0528-00		1	Board pull-out handle, Phaser 860
8	650-3886-01		1	Dallas Real Time Clock/NVRAM Module, Phaser 840
9	650-4024-01		1	Power supply
10	671-4053-50		1	SCSI riser board assembly, Phaser 840
	386-7074-00		1	Blank cover plate (no SCSI riser board), Phaser 840
11	163-1217-00		1	Boot ROM/Printer ID, Phaser 840/850/860B/8200B
	163-1471-00		1	Boot ROM/Printer ID, Phaser 860DP/8200DP
12	131-6411-00		1	Jumper, +40 volt isolation
13	650-4029-01		1	Power control board, Phaser 840
	650-4157-00		1	Power control board, Phaser 850
	650-4211-00		1	Power control board, Phaser 860
	650-4251-00		1	Power control board, Phaser 8200

Solenoid and Clutch FRUs



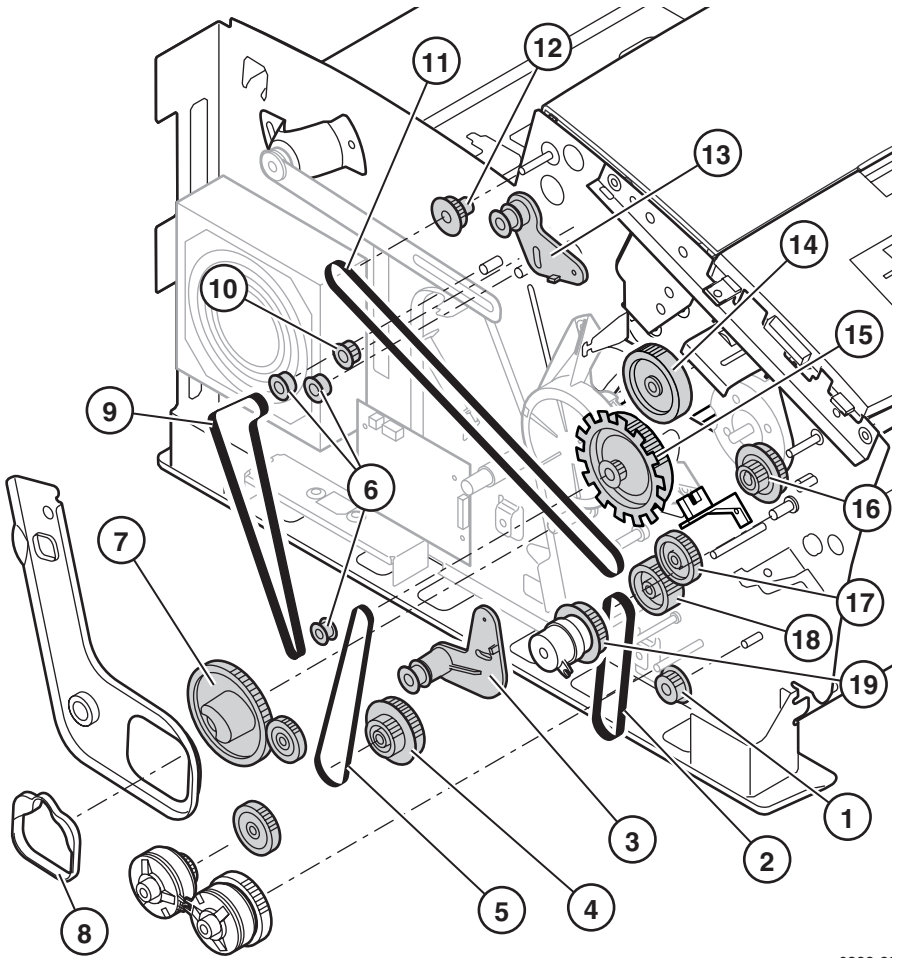
0388-23

Fig 8-6 Solenoid and Clutch FRUs

Table 8-6 Solenoid and clutch FRUs

Parts	Part number	Serial number Effective Discont'd	Qty	Name and description
1	401-0792-00		1	Electric clutch, upper feed roller, exit roller, Phaser 840
	401-0855-00		1	Electric clutch, upper feed roller, exit roller, Phaser 850/860/8200
2	401-0808-02		1	Electric clutch, pick roller, Phaser 840/850
	401-0855-00		1	Electric clutch, pick roller, Phaser 860/8200
3	401-0807-02		1	Electric clutch, drum maintenance, Phaser 840
	401-0871-00		1	Electric clutch, drum maintenance, Phaser 850/860/8200
4	401-0792-00		1	Electric clutch, cap/wipe/purge drive, Phaser 840
	401-0855-00		1	Electric clutch, cap/wipe/purge drive, Phaser 850/860/8200
5	148-0301-01		1	Solenoid, transfix assembly
	105-1057-00		1	Transfix solenoid latch cam (refer to SB 541)

Gear and Belt FRUs



0388-2i

Fig 8-7 Gear and belt FRUs

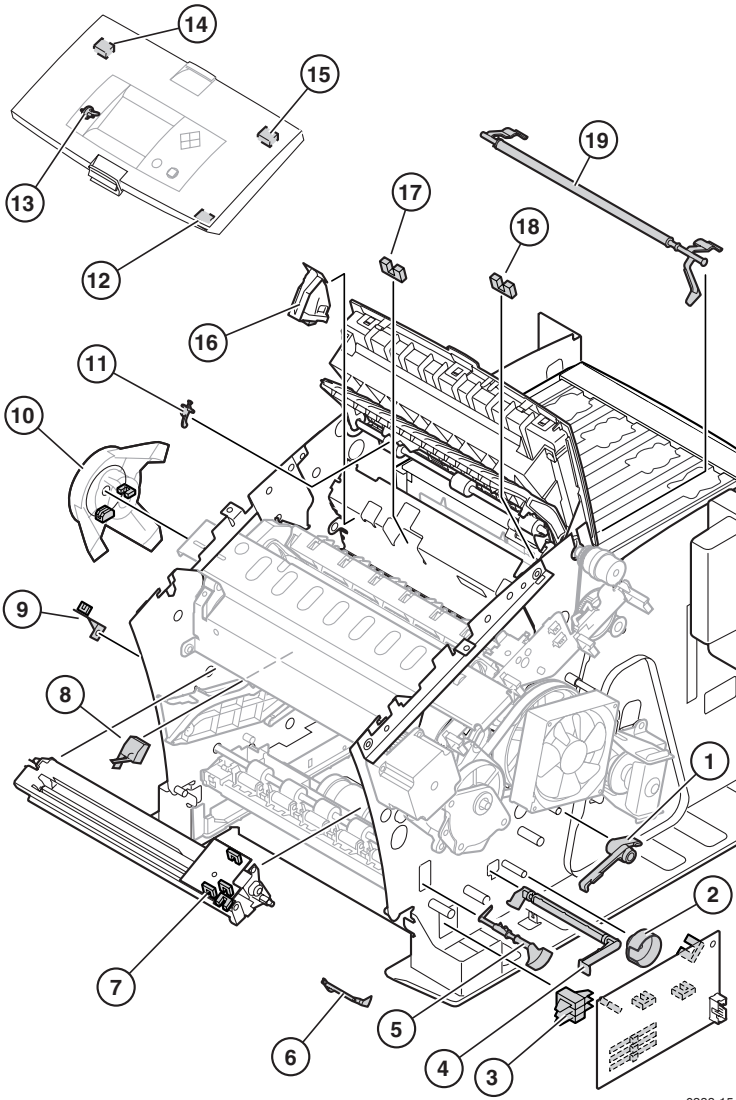
The Phaser 840/850/860 printer gears and belts are all part of kits. When referencing a specific part, its associated kit will be listed in the Kit column, with a description of the particular part listed in the Name and description column. The kits are as follows:

- Phaser 840/850 Gear Kit - Part # 650-3619-00
- Phaser 860/8200 Gear Kit - Part # 650-4221-00
- Phaser 840/850/860/8200 Belt Kit - Part # 650-3615-00

Table 8-7 Gear and belt FRUs

Parts	Part number	Serial number Effective Discont'd	Qty	Name and description
1	Gear Kit		5	Pulley, lower paper transport.
2	Belt Kit		2	Paper feed roller drive belt.
3	Belt Kit		5	Tensioner, process belt.
4	Gear Kit		1	Lower process, gear/pulley;
5	Belt Kit		1	Process drive belt.
6	Gear Kit		5	Roller, flat, head maintenance.
7	Gear Kit		5	Head tilt cam gear.
8	351-1015-00		1	Guide, head tilt
9	Belt Kit		1	Head maintenance timing belt and ratchet clip.
10	Gear Kit		5	Pulley, drive, head maintenance.
11	Belt Kit		1	Exit roller drive belt.
12	Gear Kit		5	Pulley, exit drive.
13	Belt Kit		1	Tensioner, exit drive belt.
14	Gear Kit		5	Transfix gear, eccentric.
15	Gear Kit		5	Gear, compound eccentric, flagged.
16	Gear Kit		5	Duplex roller, gear pulley.
17	Gear Kit		5	Paper path, idler 1.
18	Gear Kit		5	Paper path, idler 2.
19	Gear Kit		5	Gear/pulley, upper feed roller, preheat entry.
	Gear Kit		1	Drum maintenance cam

Sensor and Flag FRUs



0388-15

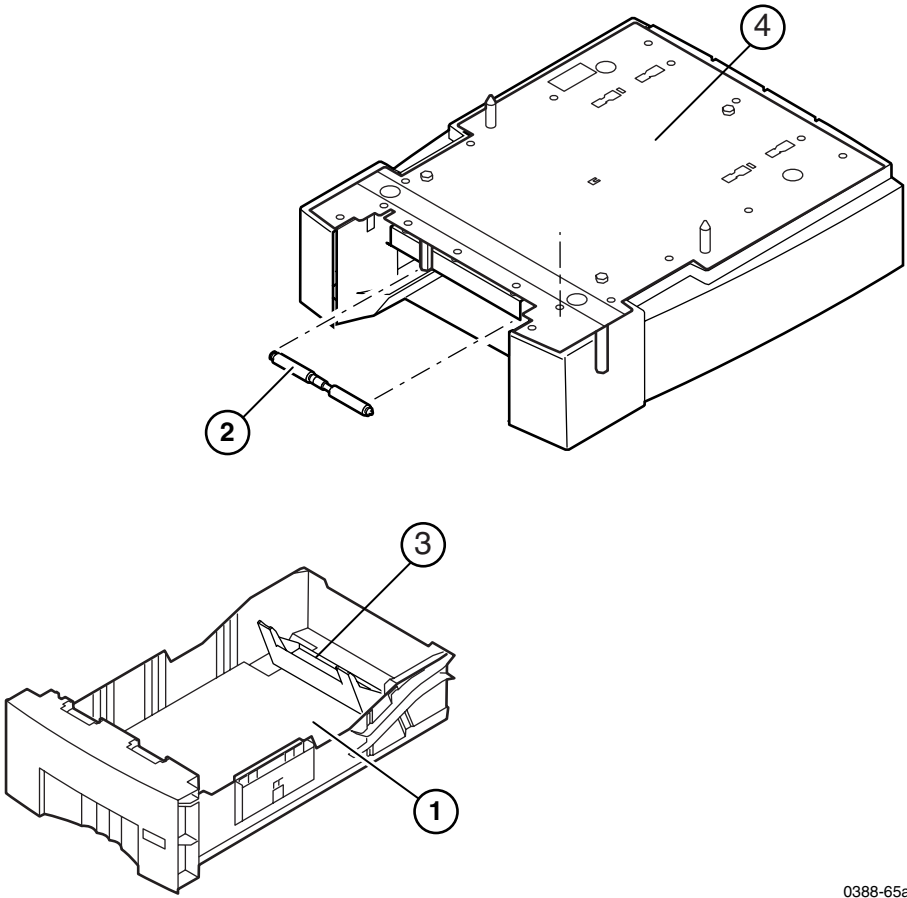
Fig 8-8 Sensor and flag FRUs

All sensor flags are provided in Flag Kit 650-3618-00 (Phaser 840 printer) or Flag Kit 650-4156-00 (Phaser 850/860 printer).

Table 8-8 Sensor and flag FRUs

Parts	Part number	Serial number Effective Discont'd	Qty	Name and description
1	650-3618-00		1	Cap/wipe/purge home flag, Phaser 840
	650-4156-00		1	Cap/wipe/purge home flag, Phaser 850/860/8200
2	650-3618-00		1	Drum maint cam home flag, Phaser 840
	650-4156-00		1	Drum maint cam home flag, Phaser 850/860/8200
3	386-6902-00		1	Media tray sense flag assy
4	650-3618-00		1	Paper out sensor flag, Phaser 840
	650-4156-00		1	Paper out sensor flag, Phaser 850/860/8200
5	650-3618-00		1	Paper pick flag, Phaser 840
	650-4156-00		1	Paper pick flag, Phaser 850/860/8200
6	650-3618-00		1	Hand feed sensor flag, inside front access cover, Phaser 840
	650-4156-00		1	Handfeed sensor flag, inside front access cover, Phaser 850/860/8200
7	351-1047-00		1	Preheat entry/left edge sensor, A-size sensor, hand feed sensor Phaser 840
	351-1106-00		1	Preheat entry/left edge sensor, A-size sensor, hand feed sensor Phaser 850/860/8200
8	119-5803-00		1	Preheater exit sensor assembly
9	119-4968-00		1	Process gear sensor
10	650-3622-00		1	Y-axis encoder kit, Phaser 840
	650-4144-01		1	Y-axis encoder kit, Phaser 850/860/8200
11	650-3618-00		1	Transfix exit sensor flag, Phaser 840
	650-4156-00		1	Transfix exit sensor flag, Phaser 850/860
12				Part of Front cover, Control Panel
	650-4028-00		1	Front cover open sensor, Phaser 840
	650-4121-00		1	Front cover open sensor, Phaser 840GP
	650-4143-00		1	Front cover open sensor, Phaser 850
	650-4216-00		1	Front cover open sensor, Phaser 860/8200
13				Duplex paper sensor flag, part of Front Cover Control Panel
14				Part of Front cover, Control Panel
	650-4028-00		1	Duplex paper sensor, Phaser 840
	650-4121-00		1	Duplex paper sensor, Phaser 840GP
	650-4143-00		1	Duplex paper sensor, Phaser 850
	650-4216-00		1	Duplex paper sensor, Phaser 860/8200
15				Part of Front cover, Control Panel
	650-4028-00		1	Exit cover open sensor, Phaser 840
	650-4121-00		1	Exit cover open sensor, Phaser 840GP
	650-4143-00		1	Exit cover open sensor, Phaser 850
	650-4216-00		1	Exit cover open sensor, Phaser 860/8200
16	119-5795-01		1	Drum temperature sensor assembly
17	119-5802-00		1	Transfix exit sensor
18	119-5802-00		1	Paper exit/tray full sensor
19			1	Paper exit/tray full flag, part of Exit Cover

High-capacity Paper Tray Assembly



0388-65a

Fig 8-9 High-capacity Paper Tray

Table 8-9 High-capacity Paper Tray FRUs

Parts	Part number	Serial number Effective Discont'd	Qty	Name and description	
1	436-0328-00		1	High-capacity paper tray Phaser 840/850 A-size	
	436-0329-00		1		Phaser 840/850 A4-size
	436-0416-00		1		Phaser 860/8200 A-size
	436-0417-00		1		Phaser 860/8200 A4-size
2	116-0272-00		1	Paper pick roller	
3	118-9588-01		1	Backstop for High-Capacity paper tray assembly	
4				High-capacity paper tray assembly, includes tray Phaser 840/850 A-size	
	437-0467-00		1		Phaser 840/850 A4-size
	437-0468-00		1		Phaser 860/8200 A-size
	437-0495-00		1		Phaser 860/8200 A4-size
	437-0496-00		1	Phaser 860/8200 A4-size	

Service tools

Table 8-10 Service tools

Parts	Part number	Serial number Effective Discont'd	Qty	Name and description
	003-1489-00		1	Y-axis encoder disk spacer tool
	003-1500-00		1	Y-axis belt tensioner, Phaser 840
	006-7997-00		1	Grease, Rheolube 768
	012-1535-00		1	Cable, Diagnostics,PC, DB-9F to DB25M
	012-1543-00		1	Cable, adapter, diagnostics Phaser 840/850 only
	003-1707-00		1	+40 volt service plug and jumper (Phaser 840/850 only)
	650-4197-00		1	Head-to-Drum Gap Clip, Phaser 840
	063-3009-00		1	Service diagnostics diskette, SW, Phaser 840
	063-3346-00		1	Service diagnostics diskette, SW, Phaser 850
	650-3973-01			Phaser 840 Tool kit - Encoder Alignment Tool - Head to Drum Gap Tool Assy. - Y-Axis Belt Tensioner tool - Serial Adapter Cable - 40-v Service Plug - PC DB-9F to DB25M Cable - Vacuum gauge assembly - Torque screwdriver - Hot head resevoir plugs - Hot head removal tool - Torx bits (assorted)
	650-4103-00			Phaser 850 Tool kit - Encoder Alignment Tool - Serial Adapter Cable - 40V Service Plug - PC DB-9F to DB25M Cable - Vacuum gauge assembly
	003-1623-00		1	Spring removal tool
	650-4222-00			Hardware kit, Note: Some items are not used in all products
	650-3616-00			Cable kit, printer wiring harnesses, Phaser 840
	650-4139-00			Cable kit, printer wiring harnesses, Phaser 850
	650-4218-00			Cable kit, printer wiring harnesses, Phaser 860/8200
	650-4051-00		1	Vacuum Gauge assembly, Phaser 840/850 only

Table 8-10 Service tools

Parts	Part number	Serial number Effective Discont'd	Qty	Name and description
	071-0723-00		1	Phaser 840/850/860 Printer Service Manual with Phaser 8200 Addendum

Supplies and accessories

Table 8-11 Supplies and accessories

Parts	Part number	Serial number Effective Discont'd	Qty	Name and description
	016-1845-00		1	Cleaning Kit
Ink				
	016-1604-00		1	Phaser 840 Black Ink, 3 pack
	016-1605-00		1	Phaser 840 Cyan Ink, 5 pack plus 2 black sticks
	016-1606-00		1	Phaser 840 Magenta Ink, 5 pack plus 2 black sticks
	016-1607-00		1	Phaser 840 Yellow Ink, 5 pack plus 2 black sticks
	016-1608-00		1	Phaser 840 Rainbow pack, 1 stick each color
	016-1582-00		1	Phaser 840 Cyan Ink, 2 pack plus 1 black sticks
	016-1583-00		1	Phaser 840 Magenta Ink, 2 pack plus 1 black sticks
	016-1584-00		1	Phaser 840 Yellow Ink, 2 pack plus 1 black sticks
	016-1831-00		1	Phaser 850 Black Ink, 3 pack
	016-1825-00		1	Phaser 850 Cyan Ink, 5 pack plus 2 black sticks
	016-1826-00		1	Phaser 850 Magenta Ink, 5 pack plus 2 black sticks
	016-1827-00		1	Phaser 850 Yellow Ink, 5 pack plus 2 black sticks
	016-1833-00		1	Phaser 850 Rainbow pack, 1 stick each color
	016-1828-00		1	Phaser 850 Cyan Ink, 2 pack plus 1 black sticks

Table 8-11 Supplies and accessories

Parts	Part number	Serial number Effective Discont'd	Qty	Name and description
	016-1829-00		1	Phaser 850 Magenta Ink, 2 pack plus 1 black sticks
	016-1830-00		1	Phaser 850 Yellow Ink, 2 pack plus 1 black sticks
	016-1902-01		1	Phaser 860 Black Ink, 3 pack
	016-1903-01		1	Phaser 860 Cyan Ink, 5 pack plus 2 black sticks
	016-1904-01		1	Phaser 860 Magenta Ink, 5 pack plus 2 black sticks
	016-1905-01		1	Phaser 860 Yellow Ink, 5 pack plus 2 black sticks
	016-1909-01		1	Phaser 860 Rainbow pack, 1 stick each color
	016-1906-01		1	Phaser 860 Cyan Ink, 2 pack plus 1 black sticks
	016-1907-01		1	Phaser 860 Magenta Ink, 2 pack plus 1 black sticks
	016-1908-01		1	Phaser 860 Yellow Ink, 2 pack plus 1 black sticks
	016-2040-00		1	Phaser 8200 Black Ink, 5 pack
	016-2044-00		1	Phaser 8200 Black Ink, 10 pack
	016-2045-00		1	Phaser 8200 Cyan Ink, 5 pack
	016-2046-00		1	Phaser 8200 Magenta Ink, 5 pack
	016-2047-00		1	Phaser 8200 Yellow Ink, 5 pack
	016-2048-00		1	Phaser 8200 Rainbow pack, 1 stick each color
	016-2041-00		1	Phaser 8200 Cyan Ink, 2 pack
	016-2042-00		1	Phaser 8200 Magenta Ink, 2 pack
	016-2043-00		1	Phaser 8200 Yellow Ink, 2 pack

Trays

	436-0330-00		1	Tray, Paper, A-size, Phaser 840/850
	436-0395-00		1	Tray, Paper, A-size, Z840DP "Designer Edition"
	436-0409-00		1	Tray, Paper, A-size, Phaser 860
	436-0332-00		1	Tray, Paper, A4-size, Phaser 840/850
	436-0396-00		1	Tray, Paper, A4-size, Z840DP "Designer Edition"
	436-0410-00		1	Tray, Paper, A4-size, Phaser 860

Table 8-11 Supplies and accessories

Parts	Part number	Serial number Effective Discont'd	Qty	Name and description
	436-0336-00		1	Tray, High-volume transparency, A-size, Phaser 840/850
	436-0411-00		1	Phaser 860 Tray, High-volume transparency, A-size
	436-0338-00		1	Tray, High-volume transparency, A4-size, Phaser 840/850
	436-0412-00		1	Phaser 860 Tray, High-volume transparency, A4-size
	214-4595-01		5	Tray type sensing plugs
	436-0413-00		1	Tray, paper, Legal-size, with Bail, Phaser 860
	381-0497-00		1	Legal-size Paper Output Tray Bail, Phaser 860
	116-0838-00			Separator pad, paper
	016-1727-00		1	Extended maintenance cartridge kit; roller and counter, Phaser 840
	016-1822-00		1	Standard maintenance cartridge kit; roller and counter, Phaser 840/850
	016-1834-00		1	Extended maintenance cartridge kit; roller and counter, Phaser 850
	016-1933-00		1	Standard maintenance cartridge kit; roller and counter, Phaser 860
	016-1932-00		1	Extended maintenance cartridge kit; roller and counter, Phaser 860
	436-0370-01			Waste ink tray, Phaser 840/850
	436-0315-00			Waste ink tray, Phaser 860
Media				
	016-1368-00			A-size paper, 500 sheets
	016-1369-00			A4-size paper, 500 sheets
	016-1724-00			Premium Transparency, 50 sheets, A-size, Phaser 840/850
	016-1725-00			Premium Transparency, 50 sheets, A4-size, Phaser 840/850
	016-1720-00			Standard Transparency, 50 sheets, A-size, Phaser 840/850
	016-1721-00			Standard Transparency, 50 sheets, A4-size, Phaser 840/850
	016-1876-00			Premium Transparency, 50 sheets, A-size, Phaser 860
	016-1877-00			Premium Transparency, 50 sheets, A4-size, Phaser 860
	016-1874-00			Standard Transparency, 50 sheets, A-size, Phaser 860

Table 8-11 Supplies and accessories

Parts	Part number	Serial number Effective Discont'd	Qty	Name and description
	016-1875-00			Standard Transparency, 50 sheets, A4-size, Phaser 860
	016-1194-00			A-size transparency pockets
	016-1130-00			A-size transparency sleeves
	016-1131-00			A4-size transparency sleeves
	016-1987-00			Premium Greeting Cards w/envelopes (letter)
	016-1988-00			Premium Greeting Cards w/envelopes (A4)
Parallel Cable				
	013-0299-00			Parallel cable adapter, 1284C to 1284B
Kits and Guides				
	070-9102-00			Phaser 840 User Guide, English
	070-9102-10			Phaser 840 User Guide, French
	070-9102-20			Phaser 840 User Guide, Italian
	070-9102-30			Phaser 840 User Guide, German
	070-9102-40			Phaser 840 User Guide, Spanish
	070-9102-70			Phaser 840 User Guide, Simplified Chinese
	070-9102-80			Phaser 840 User Guide, Traditional Chinese
	070-9102-90			Phaser 840 User Guide, Korean
	070-9102-05			Phaser 840 User Guide, Russian
	061-4200-00			Z840 "Designer Edition" Manual Pack: Welcome Kit, User Guide, Driver CD-ROM,
	061-4201-00			Z840 "Designer Edition" Country Kit: Cleaning Kit, Setup Poster, Parallel Cable Adapter, ATM CD-ROM,
	070-9103-00			Advanced Topics and Troubleshooting Manual, English
	063-3126-01			Adobe Type Manager, CD SW
	063-3166-00			Phaser 840 Drivers and Utilities, CD SW
	063-2627-00			Phaser 840 Drivers and Utilities, Diskettes, English
	063-2627-10			Phaser 840 Drivers and Utilities, Diskettes, French
	063-2627-20			Phaser 840 Drivers and Utilities, Diskettes, Italian

Table 8-11 Supplies and accessories

Parts	Part number	Serial number Effective Discont'd	Qty	Name and description
	063-2627-30			Phaser 840 Drivers and Utilities, Diskettes, German
	063-2627-40			Phaser 840 Drivers and Utilities, Diskettes, Spanish
	063-2627-70			Phaser 840 Drivers and Utilities, Diskettes, Simplified Chinese
	063-2627-80			Phaser 840 Drivers and Utilities, Diskettes, Traditional Chinese
	063-2627-90			Phaser 840 Drivers and Utilities, Diskettes, Korean
	063-2627-05			Phaser 840 Drivers and Utilities, Diskettes, Russian
	061-4208-00			Phaser 850 Manual pack, English
	061-4208-10			Phaser 850 Manual pack, French
	061-4208-15			Phaser 850 Manual pack, Pacific MNL C K
	061-4208-20			Phaser 850 Manual pack, Italian
	061-4208-30			Phaser 850 Manual pack, German
	061-4208-40			Phaser 850 Manual pack, Spanish
	061-4208-60			Phaser 850 Manual pack, Brazilian/Portuguese
	061-4208-70			Phaser 850 Manual pack, Simplified Chinese
	061-4208-80			Phaser 850 Manual pack, Traditional Chinese
	061-4208-90			Phaser 850 Manual pack, Korean
	063-3322-00			Phaser 850 Drivers and Utilities, CD-ROM, English
	063-3322-10			Phaser 850 Drivers and Utilities, CD-ROM, French, Italian, German, Spanish
	063-3322-35			Phaser 850 Drivers and Utilities, CD-ROM, Japanese
	063-3322-70			Phaser 850 Drivers and Utilities, CD-ROM, Simplified Chinese, Traditional Chinese, Korean
	061-4229-00			Phaser 860 Manual pack, English
	061-4343-00			Phaser 860 Manual pack, French
	061-xxxx-xx			Phaser 860 Manual pack, Pacific MNL C K
	061-4344-00			Phaser 860 Manual pack, Italian

Table 8-11 Supplies and accessories

Parts	Part number	Serial number Effective Discont'd	Qty	Name and description
	061-4345-00			Phaser 860 Manual pack, German
	061-4346-00			Phaser 860 Manual pack, Spanish
	061-4347-00			Phaser 860 Manual pack, Brazilian/Portuguese
	061-4357-00			Phaser 860 Manual pack, Simplified Chinese
	061-4358-00			Phaser 860 Manual pack, Traditional Chinese
	061-4362-00			Phaser 860 Manual pack, Korean
	061-4348-00			Phaser 860 Manual pack, Dutch
	061-4349-00			Phaser 860 Manual pack, Swedish
	061-4350-00			Phaser 860 Manual pack, Russian
	061-4351-00			Phaser 860 Manual pack, Norwegian
	061-4352-00			Phaser 860 Manual pack, Danish
	061-4353-00			Phaser 860 Manual pack, Finnish
	061-4354-00			Phaser 860 Manual pack, Czechoslovakian
	061-4355-00			Phaser 860 Manual pack, Polish
	061-4356-00			Phaser 860 Manual pack, Hungarian
	061-4357-00			Phaser 860 Manual pack, Japanese
	063-3402-00			Phaser 860 Drivers and Utilities with Advanced Network Management Tools CD-ROM, English
	063-3403-00			Phaser 860 Drivers and Utilities with Advanced Network Management Tools CD-ROM, all languages
	063-3178-00			Network Setup Guide, English
	063-3178-10			Network Setup Guide, French
	063-3178-20			Network Setup Guide, Italian
	063-3178-30			Network Setup Guide, German
	063-3178-40			Network Setup Guide, Spanish
	061-4473-00 061-4474-00			Phaser 8200 World Kit, Standard World Kit, Metric
	063-3424-00			Phaser 8200 Drivers and Utilities with Advanced Network Management Tools CD-ROM, all languages
	063-3425-00			Phaser 8200 Advanced Network Management Tools, CD S/W

Table 8-11 Supplies and accessories

Parts	Part number	Serial number	Qty	Name and description
		Effective		
		Discont'd		
Cords				
	161-0066-00			Power cord, Standard U.S., 115V
	161-0066-09			Power cord, Euro, 220V
	161-0066-10			Power cord, United Kingdom, 240V
	161-0066-11			Power cord, Australian, 250V
	161-0154-00			Power cord, Swiss, 220V
	161-0240-00			Power cord, Danish
	065-0619-00			Shipping carton kit

